

# GRAYS

WINDOW BLINDS



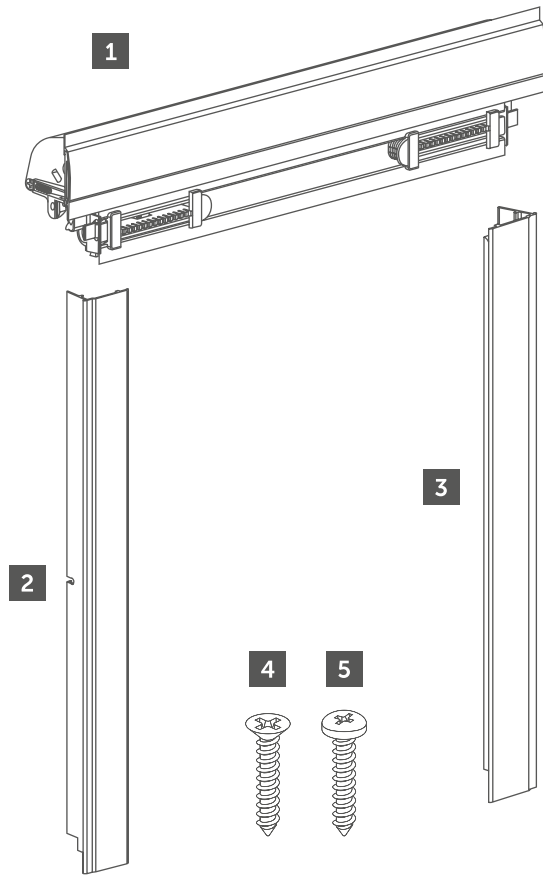
SKYE

ROOF BLINDS



- Easy Installation
- Compatible With A Variety Of Roof Windows; Including Velux, New Generation Velux, Dakstra, Rooflite, Fakro & Keylite
- Optimum Light Control
- Wide Range Of Fabrics To Choose From
- Reduces Heat Loss/ Heat Gain
- Aluminium Or White Finish Available For Fascia, Side Guide & Bottom Bar

## Blind Contents



- 1** Headbox
- 2** Left Side Channel
- 3** Right Side Channel
- 4** 4 x Countersunk Screws
- 5** 2 x Pan Head Screws (Optional)

## Tools Required

Screw Driver

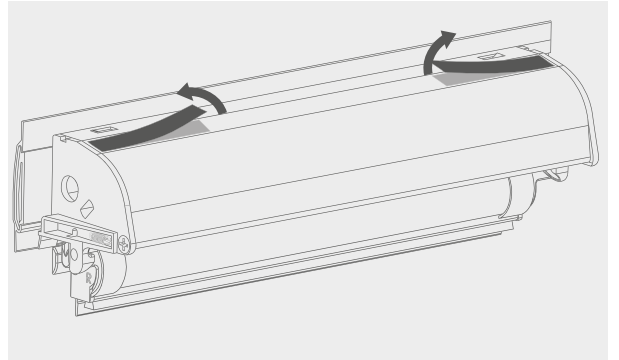


2mm Allen Key  
(Included)



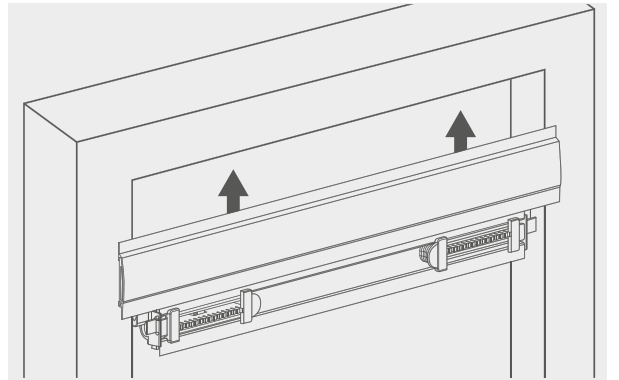
## Step 1

Peel The Backing From The Red Double Sided Tape On The Headbox.



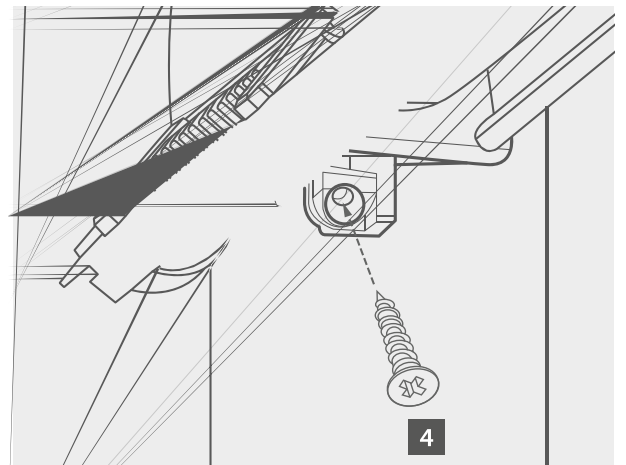
## Step 2

Secure Headbox To Top Of Window Using Double Sided Tape



## Step 3

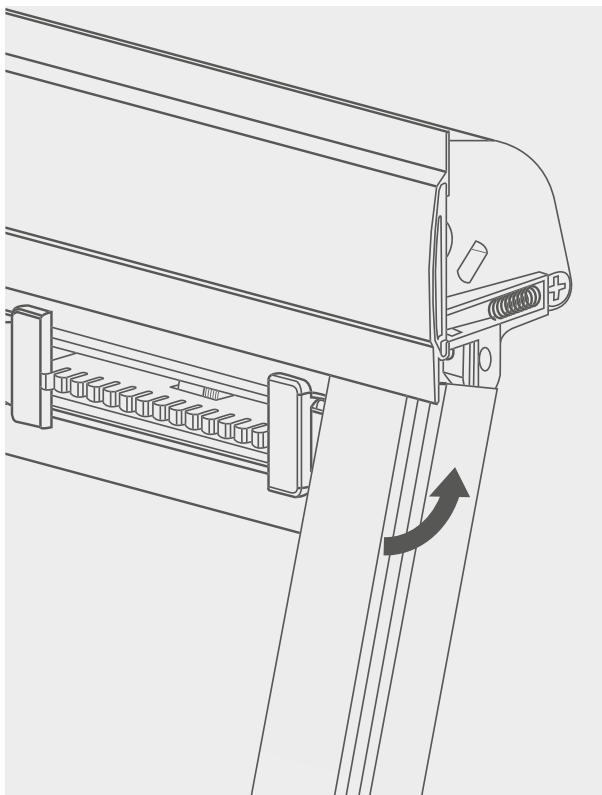
Secure Headbox To Window Frame At Each Side Using Countersunk Screws



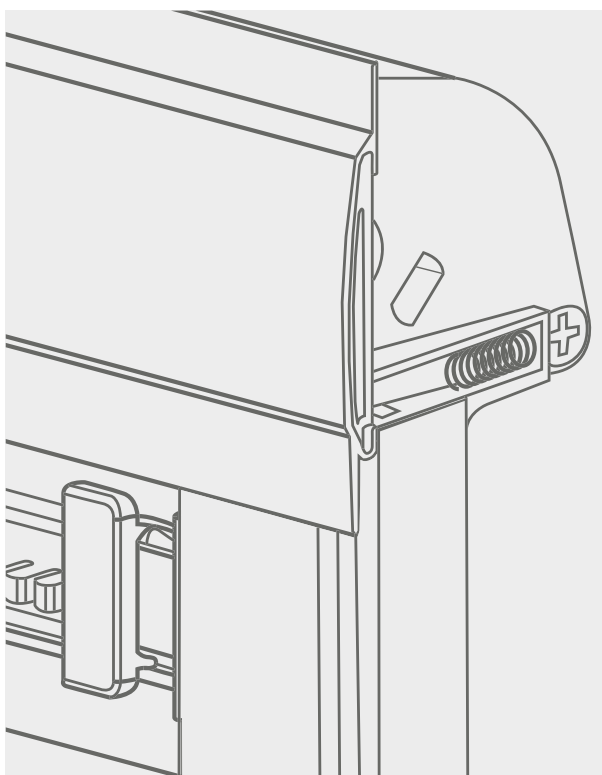
## Step 4

Slide The Right Side Channel At A 30 Degree Angle Onto The Bottom Bar End Cap To Ensure Position Under The Headbox Lip

Push The Lower End Of The Side Guide Into Position Against The Edge Of The Window

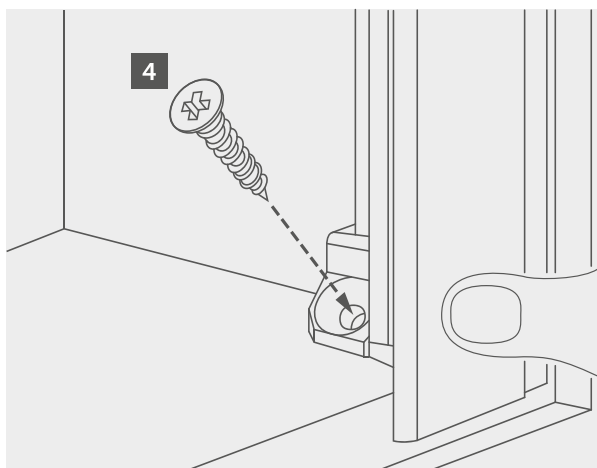


### Final Position



## Step 5

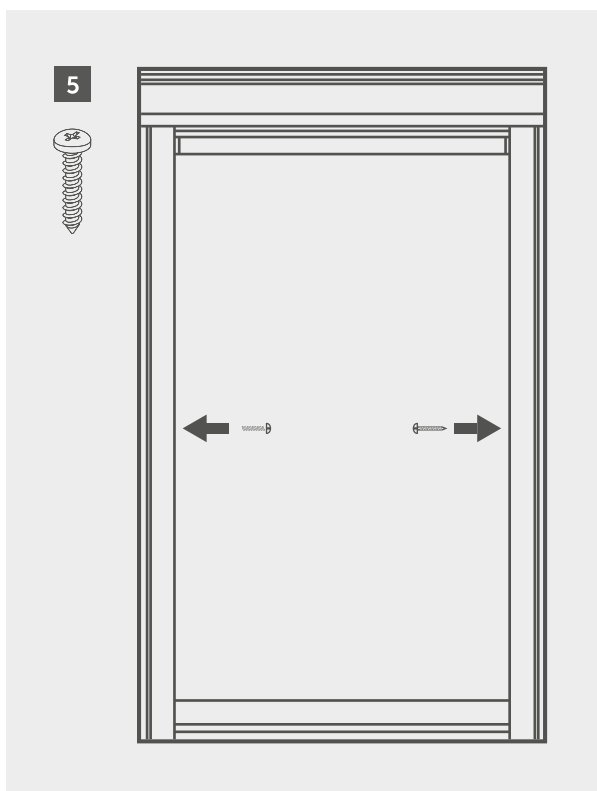
Secure The Side Guides Into Position Using The Countersunk Screws Provided



Repeat Steps 4 + 5 For Left Side Channel

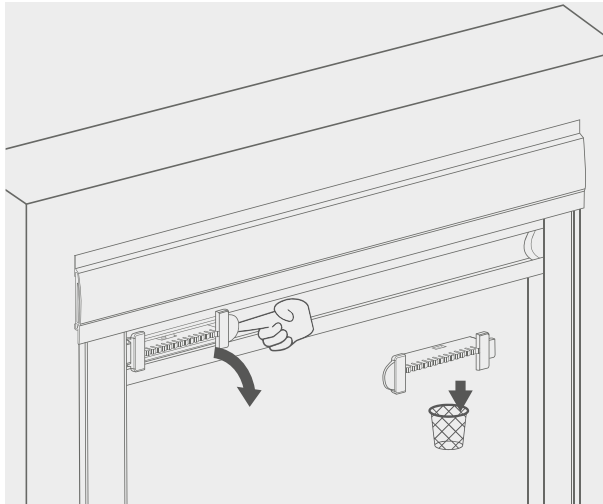
## Step 6

For larger Windows (04 Or Bigger) Additional Fixing Pan Head Screws Are Supplied



## Step 7

Remove The Red Cord Retainers, Unwind The Cord & Dispose Of The Cord Retainers.



## Step 8

Pull Cord To Bottom Of Side Of Channel & Secure Cord Stop In The Locking Mechanism. Trim Excess Cord To 1.5cm Once The Blind Is Working Correctly.

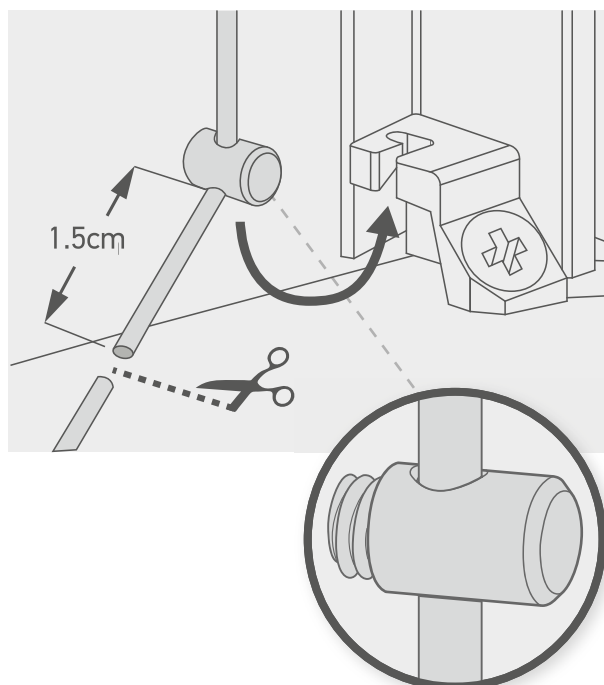


Fig 8A: Cord Stop

## Troubleshooting

The Blind Is Supplied Pre-Tensioned However, Should This Need Adjusted, Please Adjust As Follows:

1. Use The 2mm Allen Key Supplied To Adjust The Cord Stops (See Fig 8A)
2. If The Blind Does Not Stay In Position Or Raises On Its Own Accord. Add Tension To The Cord And Adjust To The Marking On The Cord Stop.
3. If The Blind Is Difficult To Open Or Close, Adjust The Position On Cord Stop To The Lower Marking. NB - Ensure The Bottom Bar Is Level.
4. If The Bottom Bar Is Not Level Adjust The Cord Stop Tension. To Do This, Remove It From Locking Mechanism & Adjust Accordingly.





SKYE

ROOF WINDOW BLINDS



FITTING INSTRUCTIONS