

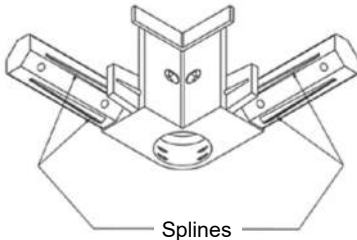
## How To Fit Roller Perfect Fit Blinds With Handle

### Fitting Corner Joints

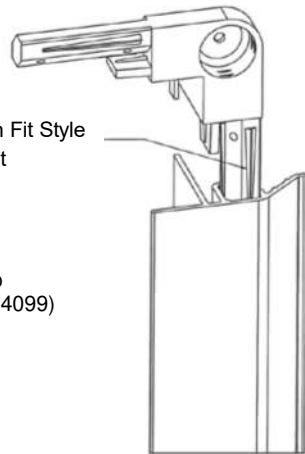
Slide The Curved Aluminium Frame Into The Idle Corner Joint.  
Do This By Sliding The Joints Into Your Frame Section.



### Fitting Push Fit Corner Joints



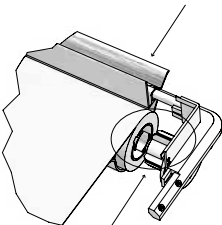
New Push Fit Style  
Perfect Fit



**\*\*Screw Holes Have Been Retained For Customers Wanting To  
Screw Fit. Screws Must Be Purchased Separately (Part Code - 4099)**

### Final Frame Joint

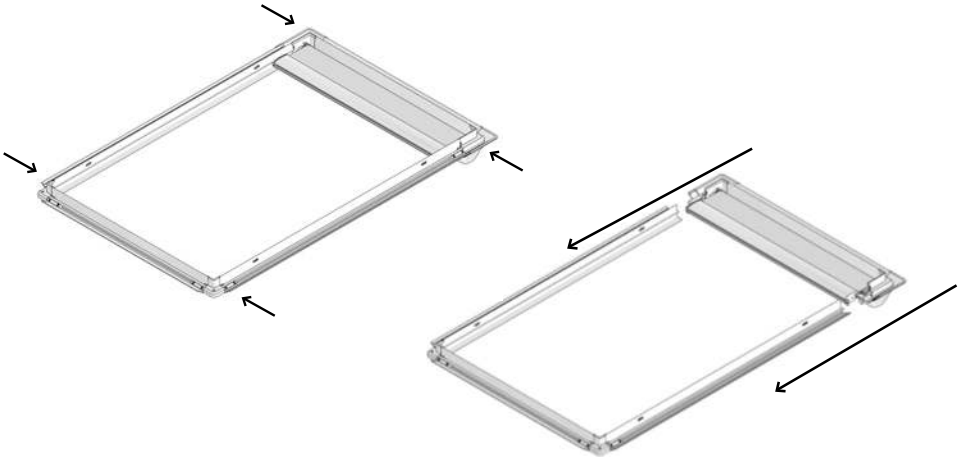
Slide The Curved Aluminium Frame Into The Idle Corner Joint.



The Simplest Way To Do This Is To Slide The Leg Of The Corner Joint Into The Curved Section. Before The Leg Is All The Way In, Ensure That The Bush On The Corner Joint Lines Up With The Top Tube.

## Fitting Curved Top Section

Slide Top Of Curved Section Into The Rest Of The Frame, Ensuring That End Caps Are Located Into The Side Channel.



To Ensure All Brackets Are In The Correct Position For Fitting (85mm From Beading)

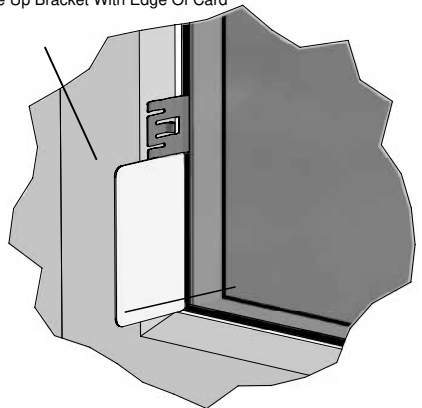
Use A Credit Card In The Corner Of The Window To Locate The Bracket Position.

For Ease Of Insertion, Use A Lubricant In The Form Of Washing Up Liquid On The Base Of Each Bracket.

Line Up The Bracket With The Base Or Top Of The Credit Card (Depending On Which Corner Of The Window You Are Working) And Fit The Bracket By Pushing It Between The Glass And The Rubber Seal Of The Window.

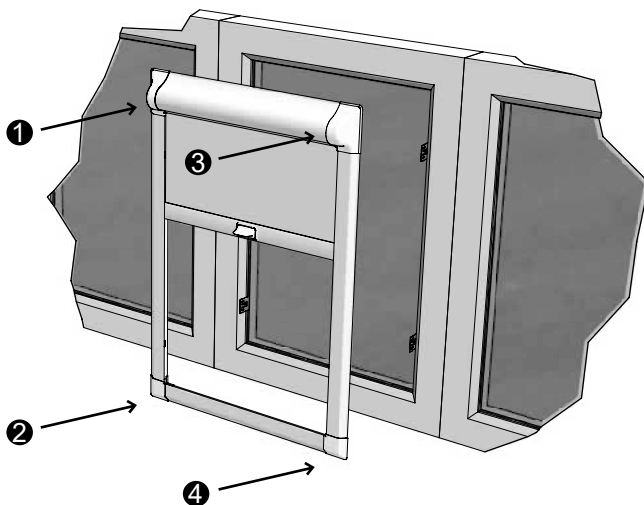
Repeat For All 4 Corners Of The Window, And Intermediate Brackets (If Required) Then Clean Excess Lubricant Prior To Fitting The Frame.

Line Up Bracket With Edge Of Card



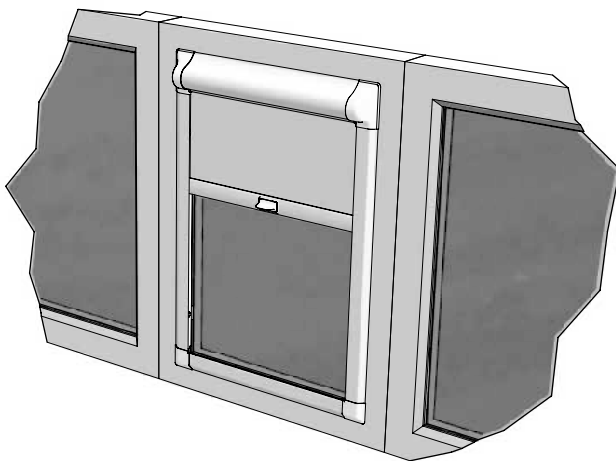
## Fitting The Frame

Line Up The Holes In The Frame With The Brackets.



Firmly Press The Frame Down Onto Each Bracket.

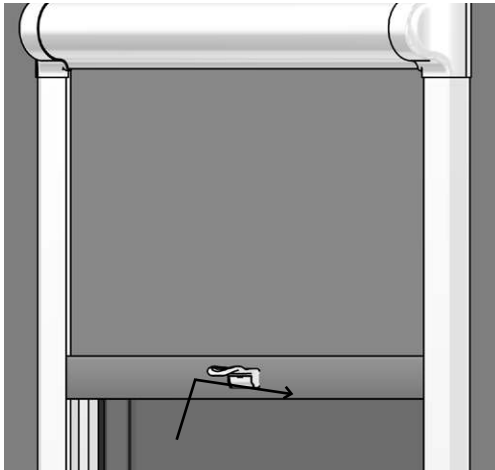
Fit One Side At A Time For An Easier Installation, 1, 2, 3, 4



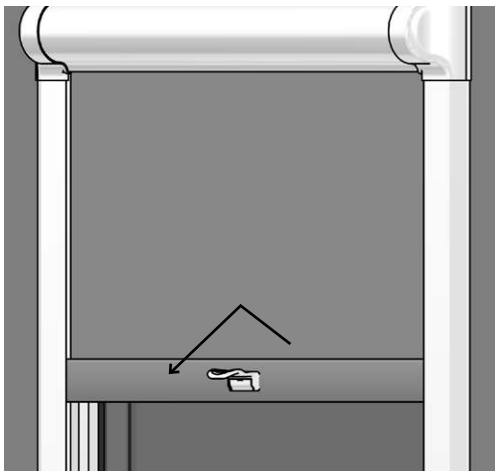
Your Blind Is Now Installed

## How To Operate

To Release The Blind, Rock The Handle Forward.  
The Blind Is Then Free To Open And Close.



To Lock The Blind Into Position, Rock The Handle Backwards.

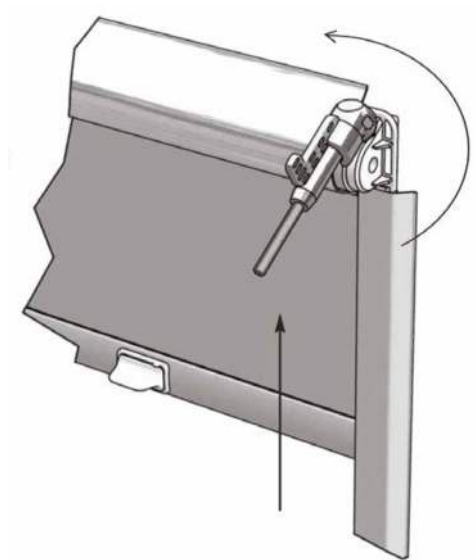


## Fitting The Frame

### Adding 'Wrap Tension' If Required

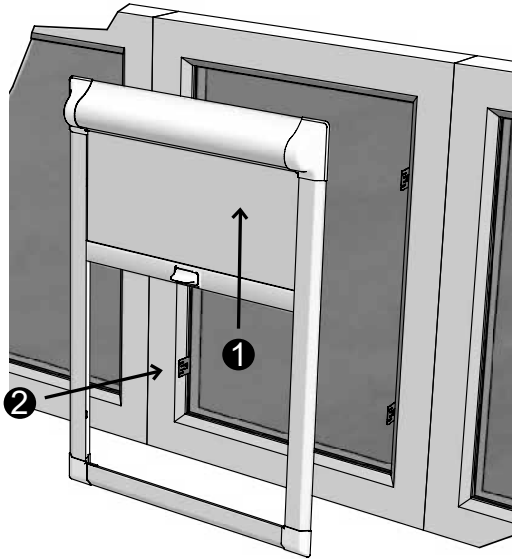
In Order For The Fabric To Roll Up, We Need To Add ' wrap Tension' At The Top Of The Blind.

- 1 Remove Bottom Bar From Grooves In Side Channel, Pull Down The Blind (Do Not Manually Push Back Up As It Needs To Raise Naturally With The Tension).
- 2 Insert a 4mm allen key or angled allen drive attachment (R9002 as shown) into the hexagon slot in the control end.
- 3 Turn 'Anti-Clockwise' To Add Tension Until The Blind Starts To Lift.
- 4 Tension Is Complete When The Blind Is Fully Opened.



## How To Remove The Blind

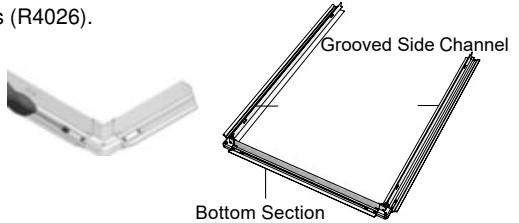
- 1 Return Blind To The Top Of The Window.
- 2 Remove 1 Side At A Time By Depressing Button In The Bracket And Sliding The Frame Out.



# How To Fit Roller Perfect Fit Blinds With Chain Control

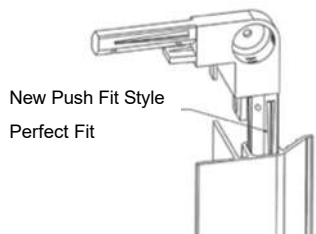
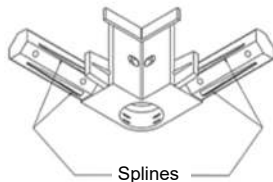
## Fitting Corner Joints

Assemble The Bottom Of A Frame Using 2 Corner Joints (R4026).  
Do This By Sliding The Joints Into Your Frame Section.



## Fitting Push Fit Corner Joints

\*\*Screw Holes Have Been Retained For Customers Wanting To Screw Fit.  
Screws Must Be Purchased Separately (Part Code - 4099).



## Final Frame Joint

Slide The Curved Aluminium Frame Into The Idle Corner Joint. The Simplest Way To Do This Is To Slide The Leg Of The Corner Joint Into The Curved Section. Before The Leg Is All The Way In, Ensure That The Bush On The Corner Joint Lines Up With The Top Tube.

## Blind Assembly

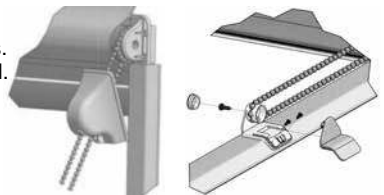
Slide The Chain End Joint In The Opposite End.

Once Assembled, Slide The Vision Blind Over The End Set Assembly Until It Will Go No Further.

## Fixing The Cord Tidy

Make Sure The Chain Is Through The Corner Cover. Pull The Chain Taut With Cord Tidy Attached. Then Mark The 2 Holes On The Side Frame And Drill 2mm Holes, Fix Them With The Screw Provided And Slide Over The Top Section Cover. Fix The Other Screw Provided To Hold The Cord Tidy Together And Push The Cover Over The Hole.

Last Of All, Ensure That The Blind End Caps Fit Into Side Grooves.  
Fit All Corner Joint Covers Into Position And Your Blind Is Finished.



---

### Fitting Perfect Fit

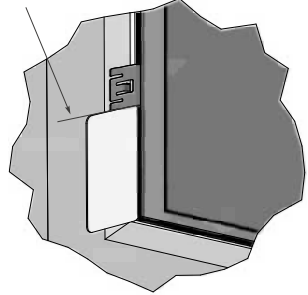
To Ensure All Brackets Are In The Correct Position For Fitting (85mm From Beading) Use A Credit Card In The Corner Of The Window To Locate The Bracket Position.

For Ease Of Insertion , Use A Lubricant In The Form Of Washing Up Liquid On The Base Of Each Bracket.

Line Up The Bracket With The Base Or Top Of The Credit Card (Depending On Which Corner Of The Window You Are Working ) And Fit The Bracket By Pushing It Between The Glass And The Rubber Seal Of The Window.

Repeat For All 4 Corners Of The Window , And Intermediate Brackets (If Required) Then Clean Excess Lubricant Prior To Fitting The Frame.

Line Up Bracket With Edge Of Card



### Fitting Perfect Fit Frame

Line Up The Holes In The Frame With The Brackets. Firmly Press The Frame Down Onto Each Bracket. Fit One Side At A Time For An Easier Installation

